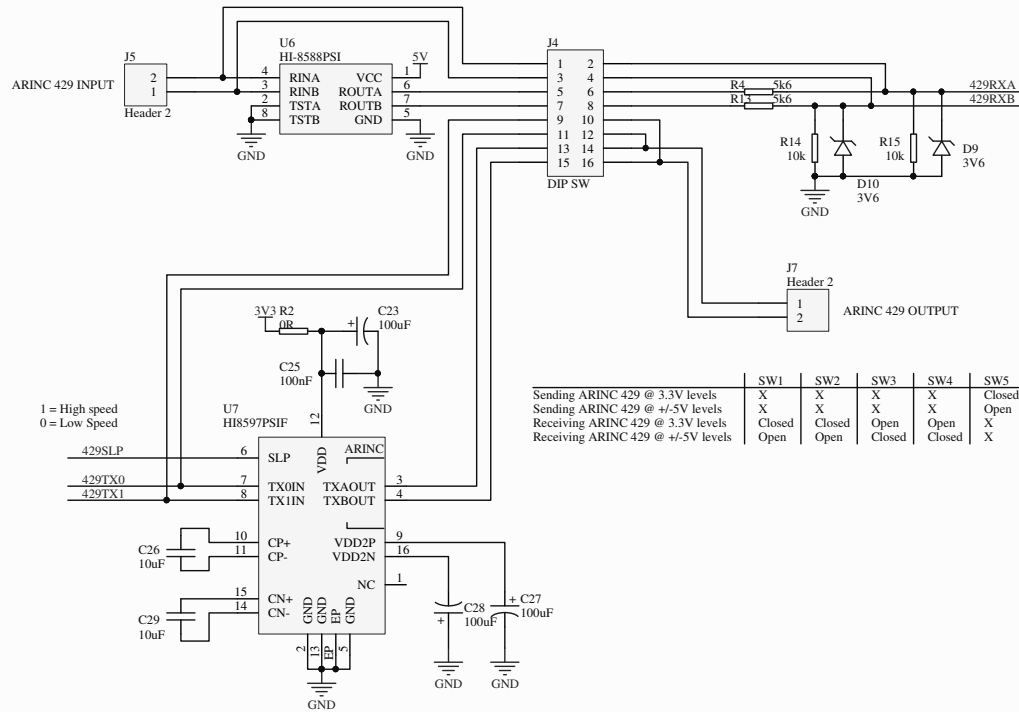
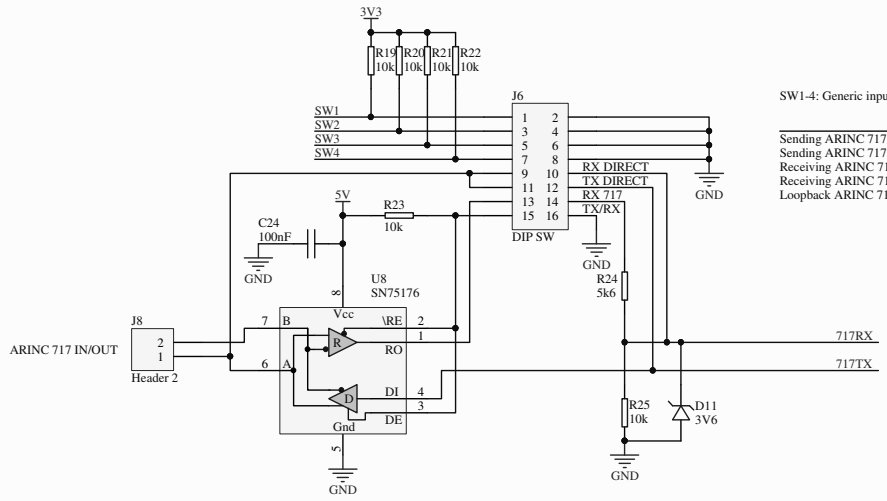


Title		
ARINC 429 / 717 Interface		
Size	Number	Revision
A3	20161208	
Date:	8/12/2016	Sheet of
File:	C:\Users\...Cyclone-II.SchDoc	Drawn By:



	SW1	SW2	SW3	SW4	SW5	SW6	SW7	SW8
Sending ARINC 429 @ 3.3V levels	X	X	X	X	Closed	Closed	Open	Open
Sending ARINC 429 @ +/-5V levels	X	X	X	X	Open	Open	Closed	Closed
Receiving ARINC 429 @ 3.3V levels	Closed	Closed	Open	Open	X	X	X	X
Receiving ARINC 429 @ +/-5V levels	Open	Open	Closed	Closed	X	X	X	X

1 = High speed
0 = Low Speed



SW1-4: Generic input switches, could be used to set WPS, but it's currently done in S/W.

	SW5	SW6	SW7	SW8
Sending ARINC 717 @ 3.3V levels	Open	Closed	Open	Closed
Sending ARINC 717 @ +/-5V levels	Open	Open	Open	Open
Receiving ARINC 717 @ 3.3V levels	Closed	Open	X	Closed
Receiving ARINC 717 @ +/-5V levels	Open	Open	Closed	Closed
Loopback ARINC 717 @ 3.3V levels	Closed	Closed	Open	Closed

Title		
ARINC 429 / 717 Interface		
Size	Number	Revision
A3	20161208	
Date:	8/12/2016	Sheet of
File:	C:\Users\... \Interface.SchDoc	Drawn By: